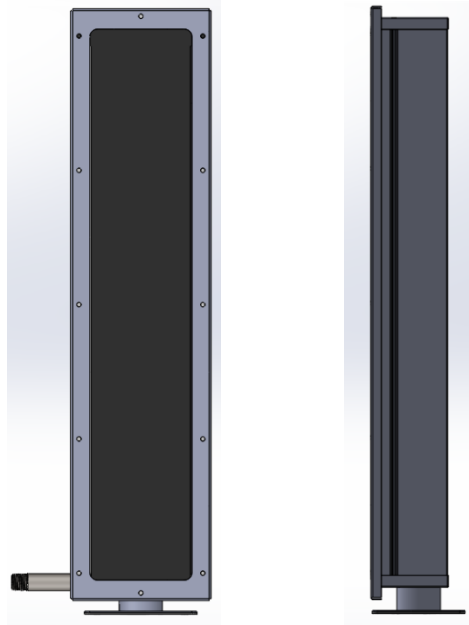


ENGINEERING SPECIFICATIONS FOR 27" GAS FIRED INFRA RED POWER BURNER



SERIES	INPUT	RADIANT SURFACE AREA	NET WEIGHT
BC27P-N BM27P-N BF27PN	25,000 – 40,000 BTU/h	125 Sq. In.	Unique Per Configuration

Normal Manifold Pressure

- Natural Gas- X" W.C.

Minimum Inlet Pressure

- Natural Gas- 3.5 - 6" W.C.

Available Emitter Surfaces

- Ceramic Tiles
- Metal Foam
- Metal Fiber

Options

- Gas Orifice
- Gas Orifice Locator Bracket
- Brass Fittings
- Factory Pre-Burn
- Mounting Tabs
- Plenum offered in 304 Stainless Steel/430 Stainless Steel/Aluminized Steel
- Air Delivery Fan
- Gas Valve

NOTE: Values and inputs may be subject to change per application or orientation.

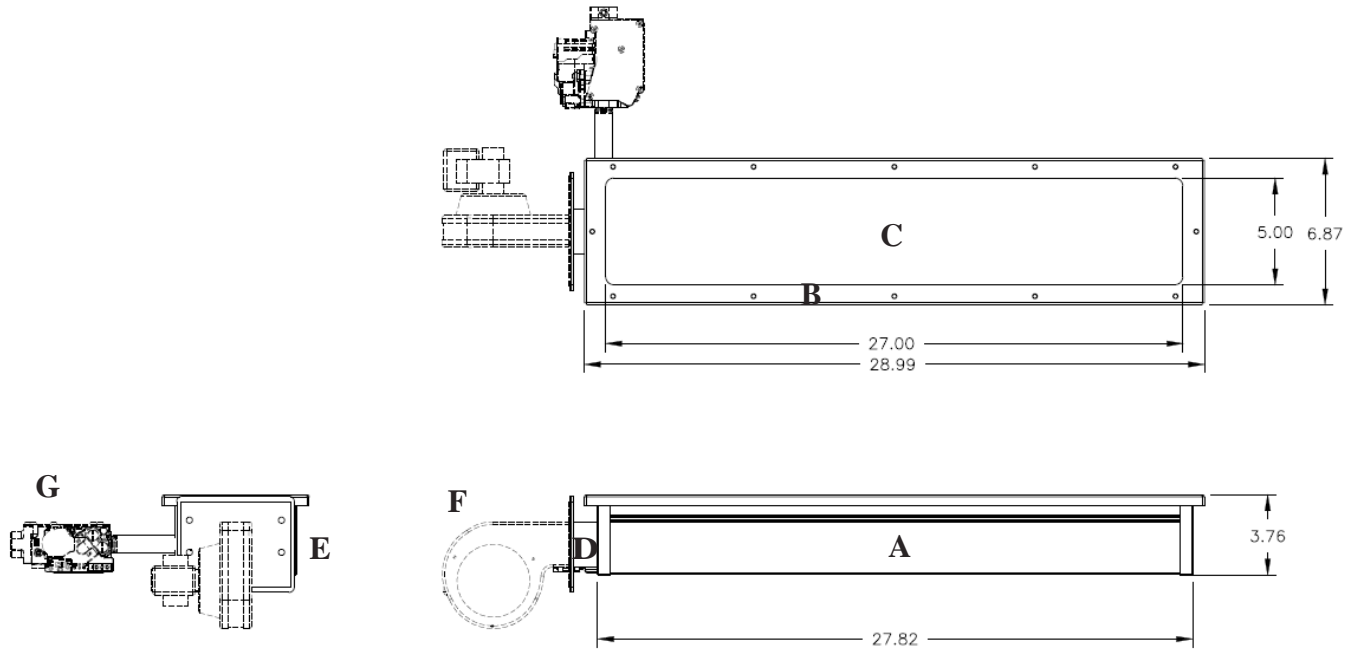
PROCESSBURNERS.COM

21400 Hoover Road • Warren, Michigan 48089

Phone: 586-756-0950 • Fax: 586-756-2626

sales@drp-co.com • www.processburners.com





DESCRIPTION

- A. Chamber (304 Stainless Steel/430 Stainless Steel/ Aluminized Steel)
- B. Hold Down (304 Stainless Steel)
- C. Emitter Surface (Additional Options Available)
- D. Venturi
- E. Fan Blower Mounting Plate
- F. Air Delivery Fan
- G. Gas Valve

NOTE: Burner length is subject to change to meet customer demand but will not exceed 30" long.